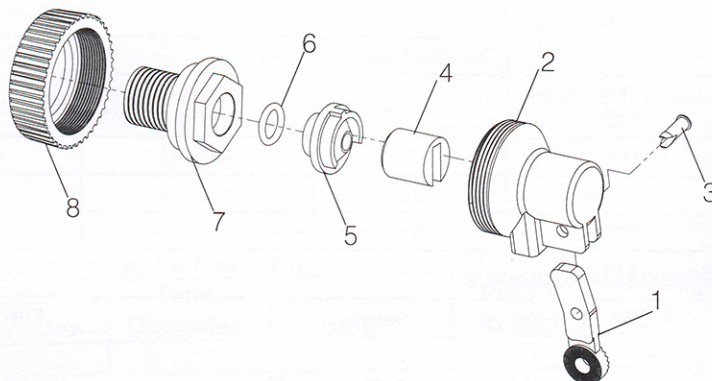


# VP2 Valve

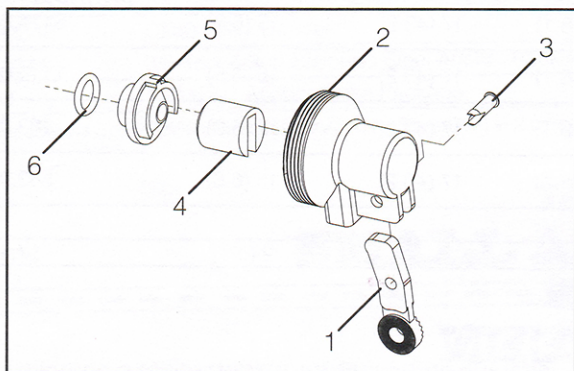
The VP2 is our next generation valve which replaces our VP1 valve series. VP2, from our program of continuous improvement, accomplishes these things. 1. Simplicity - few parts; 2. A greater flow rate because the plunger travels a longer distance; 3. Greater tolerance to operation in dirty conditions; 4. No diaphragm, cam link and power link which are three fewer maintenance items.

The VP2 uses the same Base, Assembly Nut and O-Ring of the old VP1 making conversion easy. Just order the VP2-1/8RP or VP2-1/4RP (Ref. No. 1-6). To order a fully assembled valve order VP221, VP223, VP224, VP226 or VP227. The last number on the VP2 matches up with the VP1 valves. If your drinker originally took a VP124, order a VP224, etc.

**NOTE:** If you know you have high water pressure (say 70 lbs psi or higher) and/or you are otherwise concerned about how responsive your valve is to shutting off, we suggest you use Valve Model Number VP223 (which has an 1/8" orifice). Repair part number VP24 is an 1/8" orifice only which can be used with any valve. Repair part number VP25 is a 3/32nd orifice which can also be used in any valve. Either VP24 or VP25 may help with valve shutoff but note that flow rate (and recovery) will be reduced compared with our VP224 (1/4" orifice).



**SHOWN BELOW IS A:**  
**VP2-1/8RP (REF. NO. 5 IS AN 1/8" ORIFICE)**  
**VP2-1/4RP (REF. NO. 5 IS AN 1/4" ORIFICE)**



**VP2 Maximum Shut-Off Pressure (PSI) in Relation to Orifice Size and Float Arm Length**

	VP24 - 1/8" Orifice	VP26 - 1/4" Orifice
VA225P - 1-1/8" Arm	100 PSI	40 PSI
WC725P - 2-1/2" Arm	120 PSI	65 PSI
WC726P - 3-5/8" Arm	130 PSI	85 PSI

## VP2 PARTS LIST

Ref No	Item Number	Description	VP221	VP223	VP224	VP226	VP227	VP2-1/8RP	VP2-1/4RP
1	VP29	Valve Arm, Poly	•	•	•	•	•	•	•
2	VP21	Valve Body, Poly	•	•	•	•	•	•	•
3	VM106	Lock Pin, Poly	•	•	•	•	•	•	•
4	VP28	Plunger, Poly/Rubber	•	•	•	•	•	•	•
5	<b>VP24</b>	<b>1/8" Diameter Orifice, Poly</b>		•		•	•	•	
5	<b>VP25</b>	<b>3/32" Diameter Orifice, Poly</b>							
5	<b>VP26</b>	<b>1/4" Diameter Orifice, Poly</b>	•		•				•
6	VP112	5/8" O-Ring x .103, Rubber	•	•	•	•	•	•	•
7	<b>VP117</b>	<b>3/4" NPT Base, Brass</b>	•						
7	<b>VP118</b>	<b>1/2" NPT Base, Brass</b>				•			
7	<b>VP13</b>	<b>3/4" NPT Base, Poly</b>		•	•				
7	<b>VP14</b>	<b>1/2" NPT Base, Poly</b>					•		
8	VP15	Assembly Nut, Poly	•	•	•	•	•		